



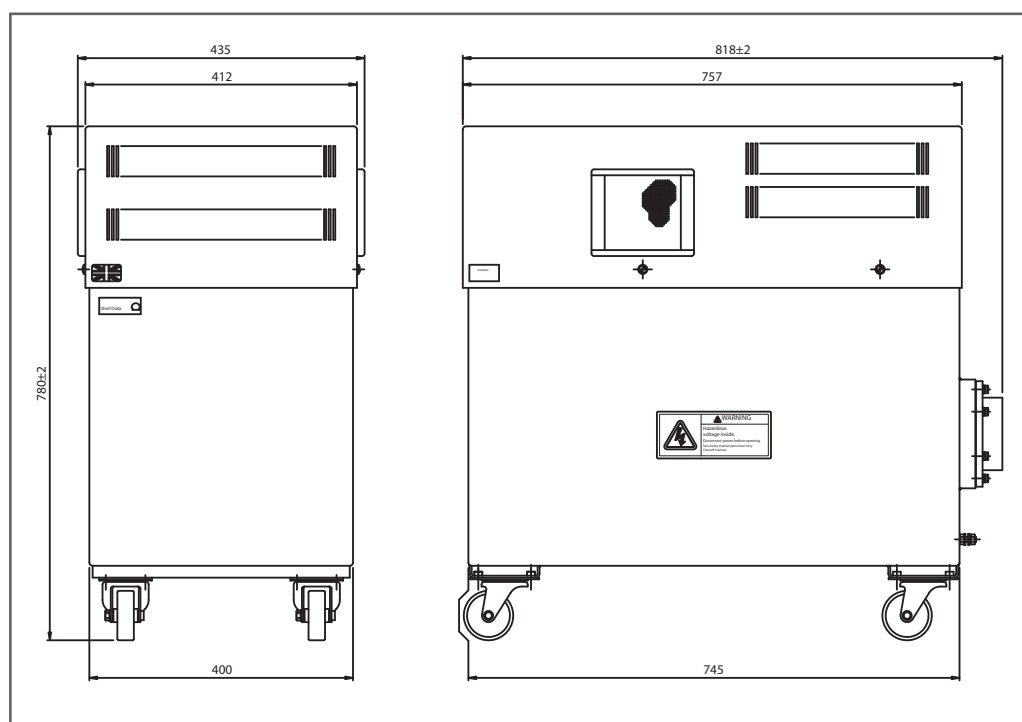
CP 225 Technical Specification

kV Range	20 - 225	mA Range	0 - 30 within a 3000W limit
Line Regulation	Less than a 0.2% change for an input change of +/- 10% in 2 seconds.	Load Regulation	Less than a 0.2% change for a load change from 100uA to 30mA in 5 seconds.
Output Drift	0.1% over 8 hours after initial 30 minute equalisation.	Output Risetime	20kV per second.
Output accuracy	+/- 2.5%	Filament Supply	Up to 9V @ 4.5A
Output Connector	R30	Environmental Conditions	10 - 35Deg. C at up to 80% humidity, non condensing
Input Voltage	220 V AC +/- 10% 47 - 63 Hz	Multiplier Frequency	25kHz
Size mm (WxLxH)	435 x 818 x 780	Input Current	27A at 220V AC
		Weight (Kg)	240

General Information

The CP Series has continued to evolve over its product life and is available in the range of 100 to 450 kV with both unipolar and bipolar options. CP series generators are available in single or dual focus configurations. The CP series uses 25 kHz for EHT generation and the family of products offers low ripple and low drift.

- All units connect to the x-ray tube with industry standard rubber coned connectors designated R10, R24 or R30.
- All units are capable of operation with external and embedded controllers.
- Oil is used as an insulation medium together with epoxy encapsulated sub assemblies. No vacuum impregnation is required and local servicing is possible.



THE DIFFERENCE IS IN
THE DESIGN

Gulmay Limited

St. Ann's House, St. Ann's Road,
Chertsey, Surrey, KT16 9EH
T: +44 (0)1932 57 0600 F: +44 (0)1932 56 8700
E: sales@gulmay.co.uk