



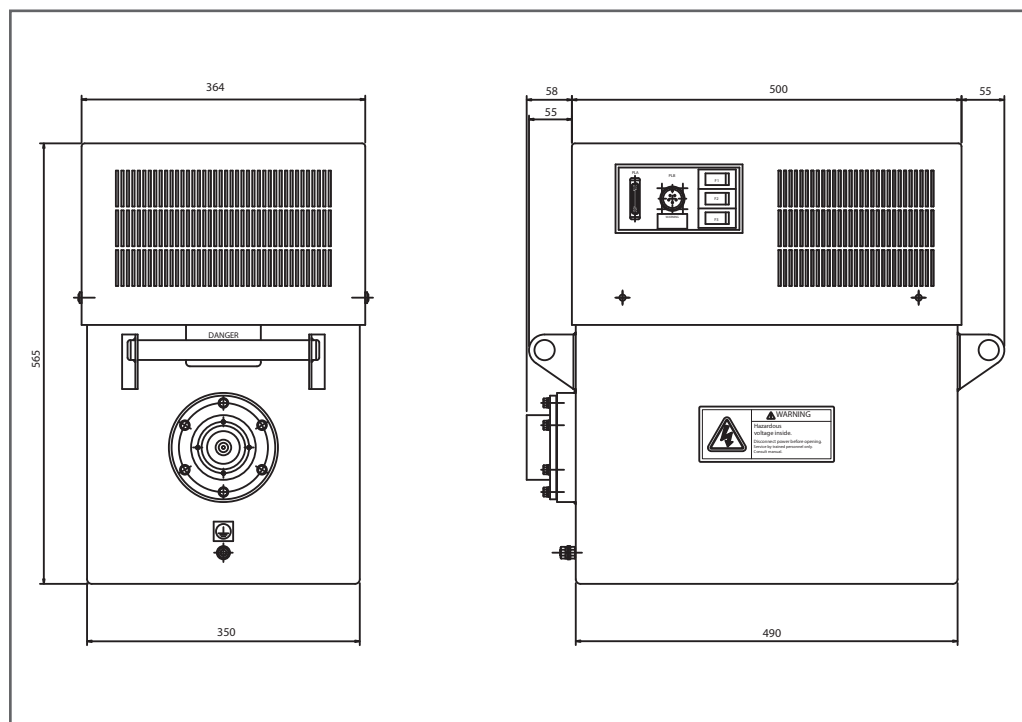
CF 160

Technical Specification

kV Range		mA Range	
14 - 160		0 - 25 within a 1800W limit	
Line Regulation	Less than a 0.2% change for an input change of +/- 10% in 2 seconds.	Load Regulation	Less than a 0.2% change for a load change from 100uA to 10mA in 2 seconds.
Output Drift	0.1% over 8 hours after initial 30 minute equalisation.	Output Risetime	20kV per second.
Output accuracy	+/- 2.5%	Filament Supply	Up to 9V @ 4.5A
Output Connector	R24	Environmental Conditions	10 - 35Deg. C at up to 80% humidity, non condensing
Input Voltage	220 V AC +/- 10% 47 - 63 Hz	Multiplier Frequency	35 to 45 kHz
Size mm (WxLxH)	364 x 613 x 565	Input Current	13A at 220V AC (PF>0.95)
		Weight (Kg)	105

General Information

Gulmay's 45 KHz CF Series offer 1800W output power. The rugged oil insulated high voltage components ensure outstanding reliability whilst maintaining full field serviceability. Precise and repeatable operation is guaranteed by advanced automated system monitoring. The ultra low output ripple makes the CF range ideal for a wide range of radiographic, radiosopic and scanning techniques. Gulmay products are fully optimized for use with x-ray tubes from all the leading manufacturers. The CF Series is available in either single or dual focus configuration and with optional RS232 control.



THE DIFFERENCE IS IN THE DESIGN